

Straights

Tees

Reducers

Laterals

Elbows

Ferrules

End Caps

Dampers

Clamps

Adapters



Getting Connected With...
VIRON®



Tool Hookup
Specialist

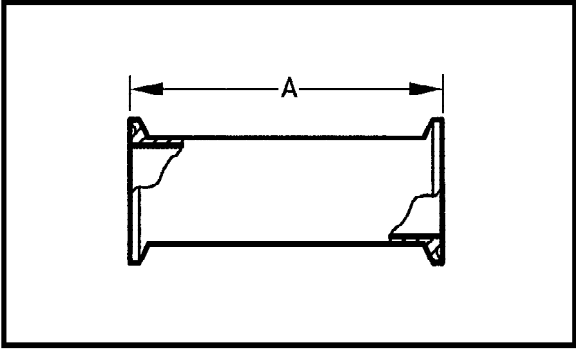
**SSteelcoat®
Halar® Coated
Stainless Steel
Ductwork**

**VIRON®
INTERNATIONAL
CORPORATION**

505 Hintz Road, Owosso, MI 48867
phone 989.723.8255 • fax 989.723.8417
web www.vironintl.com

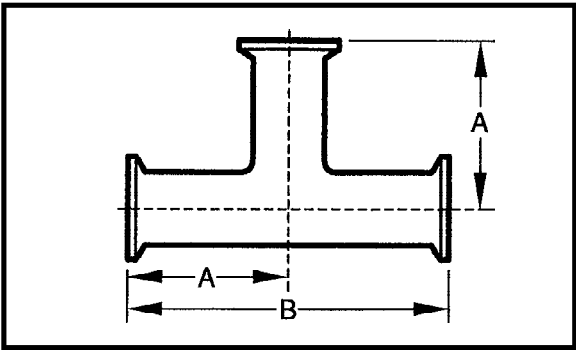
<i>Straight</i>		<i>STR2F</i>	
O.D. Tube Size	A	Qty.	
2"	24.0" MAX. LENGTH		
2"	CUSTOM LENGTH		
3"	36.0" MAX. LENGTH		
3"	CUSTOM LENGTH		

Part to include: One (1) Clamp & One (1) Gasket.



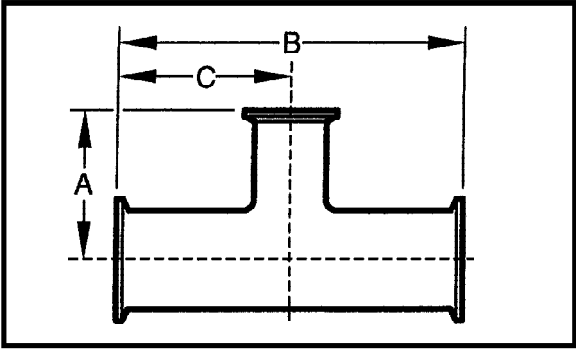
<i>Tee</i>		<i>B7MP</i>	
O.D. Tube Size	A	B	Qty.
2"	3.50"	7.00"	
3"	3.75"	7.50"	

Part to include: One (1) Clamp & One (1) Gasket.



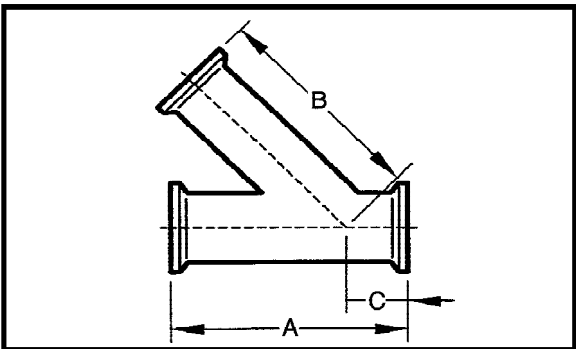
<i>Reducing Tee</i>		<i>B7RMP</i>		
O.D. Tube Size	A	B	C	Qty.
2"x 1.5"	3.00"	7.00"	3.50"	
3"x 1.5"	3.50"	7.50"	3.75"	
3"x 2"	4.00"	7.50"	3.75"	

Part to include: One (1) Clamp & One (1) Gasket.



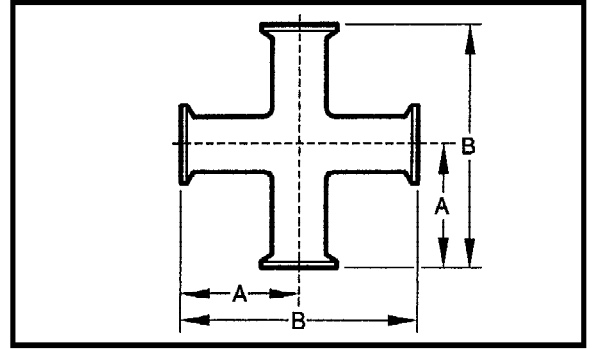
<i>45° Lateral</i>		<i>B28AMP</i>		
O.D. Tube Size	A	B	C	Qty.
2"	9.75"	7.625"	2.125"	
3"	11.75"	9.375"	2.375"	

Part to include: One (1) Clamp & One (1) Gasket.



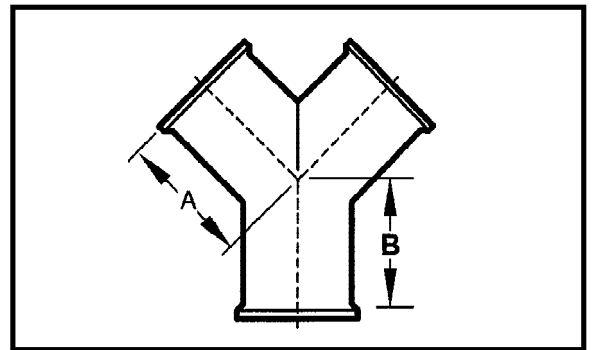
<i>Cross</i>		<i>B9MP</i>	
O.D. Tube Size	A	B	Qty.
2"	3.50"	7.00"	
3"	3.75"	7.50"	

Part to include: One (1) Clamp & One (1) Gasket.



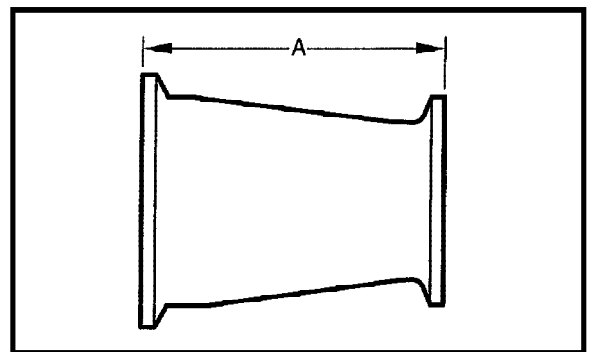
<i>True Wye</i>		<i>B28BMP</i>	
O.D. Tube Size	A	B	Qty.
2"	5.00"	3.00"	
3"	6.00"	3.50"	

Part to include: One (1) Clamp & One (1) Gasket.



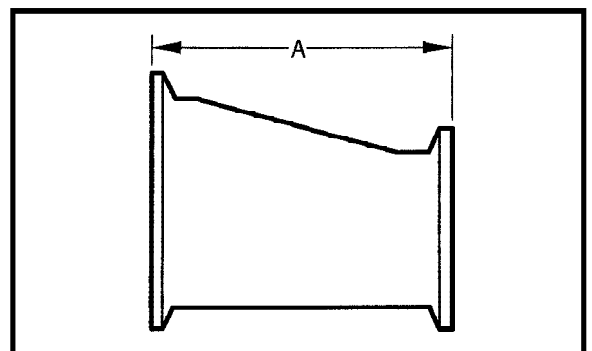
<i>Con.Reducer</i>		<i>B31-14MP</i>	
O.D. Tube Size	A	Qty.	
2"x 1.5"	3.00"		
3"x 1.5"	7.00"		
3"x 2"	5.00"		

Part to include: One (1) Clamp & One (1) Gasket.



<i>Ecc.Reducer</i>		<i>B32-14MP</i>	
O.D. Tube Size	A	Qty.	
2"x 1.5"	3.00"		
3"x 1.5"	7.00"		
3"x 2"	5.00"		

Part to include: One (1) Clamp & One (1) Gasket.

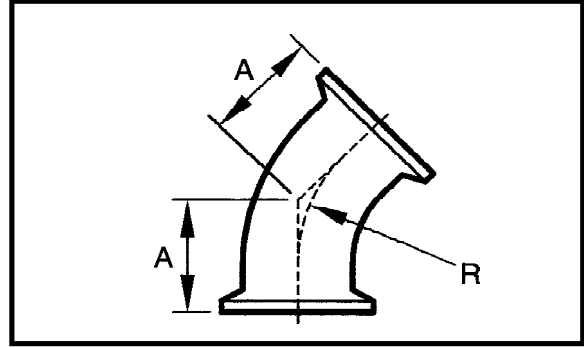


45° Elbow

B2KMP

O.D. Tube Size	A	R	Qty.
2"	1.75"	3.00"	
3"	2.375"	4.50"	

Part to include: One (1) Clamp & One (1) Gasket.

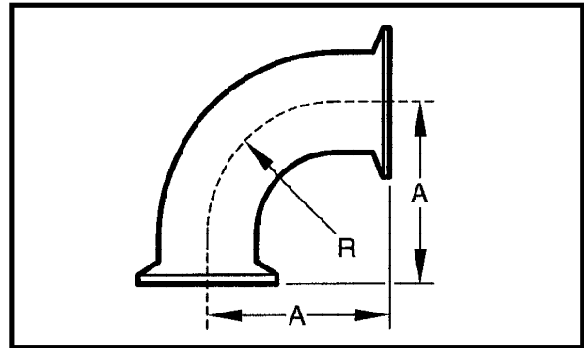


90° Elbow

B2CMP

O.D. Tube Size	A	R	Qty.
2"	3.50"	3.00"	
3"	5.00"	4.50"	

Part to include: One (1) Clamp & One (1) Gasket.

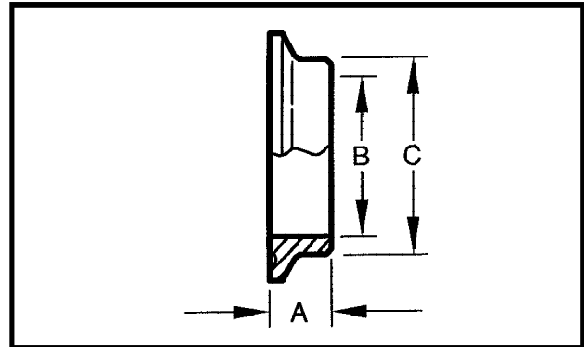


Short Weld Ferrule

14WMP

O.D. Tube Size	A	B	C	Qty.
2"	.500"	1.870"	2.000"	
3"	.500"	2.870"	3.000"	

Part to include: One (1) Clamp & One (1) Gasket.

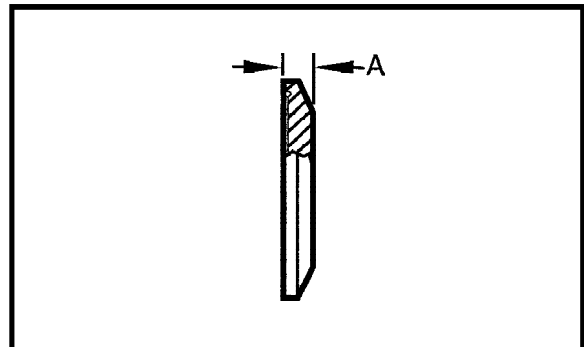


End Cap

16AMP

O.D. Tube Size	A	Qty.
1.5"	.250"	
2"	.250"	
3"	.250"	

Part to include: One (1) Clamp & One (1) Gasket.

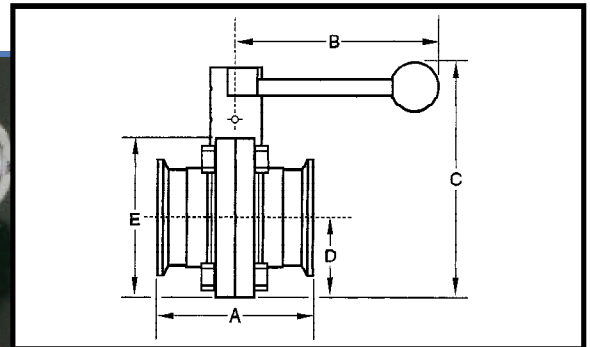
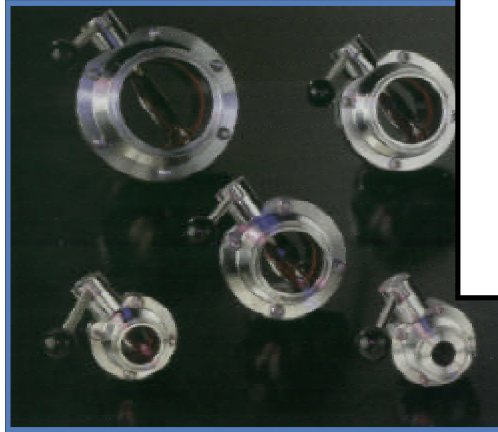


Butterfly Damper

B5101BF

O.D. Tube Size	A	B	C	D	E	Torque in-lbs.	PSI at 68°F	Qty.
1.5"	3.50"	4.437"	4.437"	1.531"	2.812"	40	140	
2"	3.750"	4.437"	5.250"	1.937"	3.625"	50	140	
3"	4.125"	6.375"	6.437"	2.625"	4.875"	80	110	

Part to include: One (1) Clamp & One (1) Gasket.

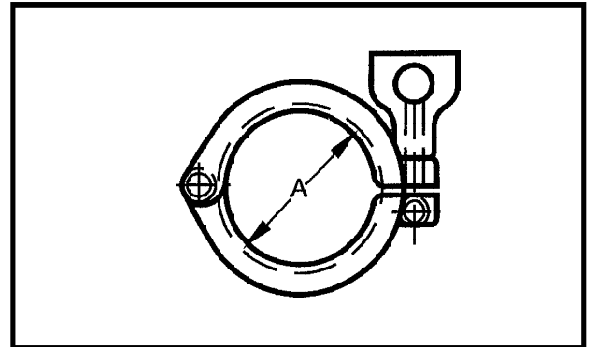


Clamp

13MHHM

O.D. Tube Size	A	Qty.
1.5"	2.122"	
2"	2.654"	
3"	3.717"	

Part to include: One (1) Gasket.



*Viron Flange to KF Flange Adaptors
Dwyer Pitot Adaptors Sprinkler Adaptors
NPT Nipple Adaptors NPT Female Adaptors
Blastgate Dampers
Field Installed Test Ports & Nipples
Field Installed Saddle Taps*

Viron® International will supply "standard" Tool Hookup ductwork dimensions unless otherwise noted. If KF series fittings are required for your application, it is necessary to contact Viron® at the time of quotation and must also be noted on the order sheets.

O.D. Tube Size	Viron® Standard	KF Series
1.5"	1.984"	2.160"
2"	2.516"	2.950"
3"	3.579"	4.330"



Straights

Tees

Reducers

Laterals

Elbows

Ferrules

End Caps

Dampers

Clamps

Adapters



Tool Hookup

Specialist

SSteelcoat®
Halar® Coated
Stainless Steel
Ductwork

We're Worldwide...BABY!



VIRON®
INTERNATIONAL
CORPORATION

505 Hintz Road, Owosso, MI 48867
phone 989.723.8255 • fax 989.723.8417
web www.vironintl.com



TEAM VIRON